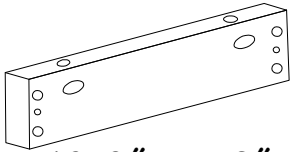
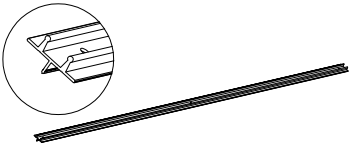
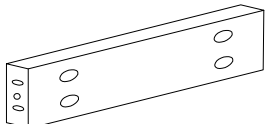
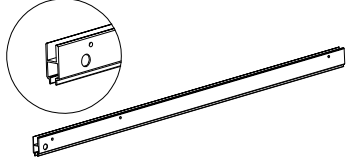
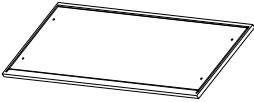
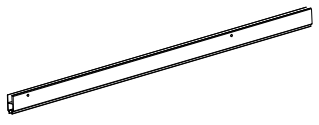


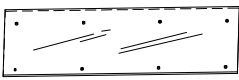


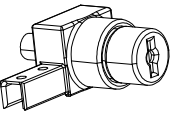
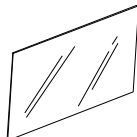
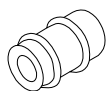

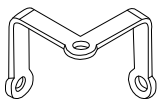
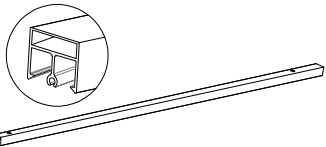
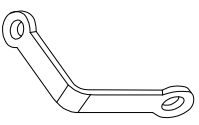
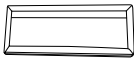

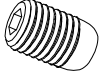




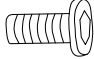

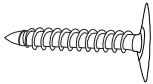



SAG4

Assembly Instruction

S/N	PIC	QTY	S/N	PIC	QTY
1# Board	 46.9" × 5.2"	2	10# AL		1
2# Board	 15.9" × 5.2"	2	11# AL		1
3# Board	 47.6" × 18"	1	12# AL		1
4# BACK GLASS	 46.2" × 32"	1	A		14
5# SIDE GLASS	 32" × 16.7"	2	B		14
6# TOP GLASS	 47.6" × 17.4"	1	E		1
7# Glass door	 30.3" × 23.3"	2	F		8
8# SHELF GLASS	 46.1" × 13.9"	2	G		4
9# AL		1	H		4

parts list

S/N	PIC	QTY	S/N	PIC	QTY
J Door handle		2	T	 M6 × 14MM	8
K		6	U	 ∅ 8 × 40MM	4
M		1	V	 M4 × 6MM	2
N		1			
P	 M5 × 12MM	4			
Q	 M6 × 10MM	12			
R	 M4 × 13MM	2			
S	 M5 × 8MM	4			

NOTE:

Please make sure that all parts above are fixed tightly before use.

This product is for indoor use only.

It is recommended that two persons assemble this unit.

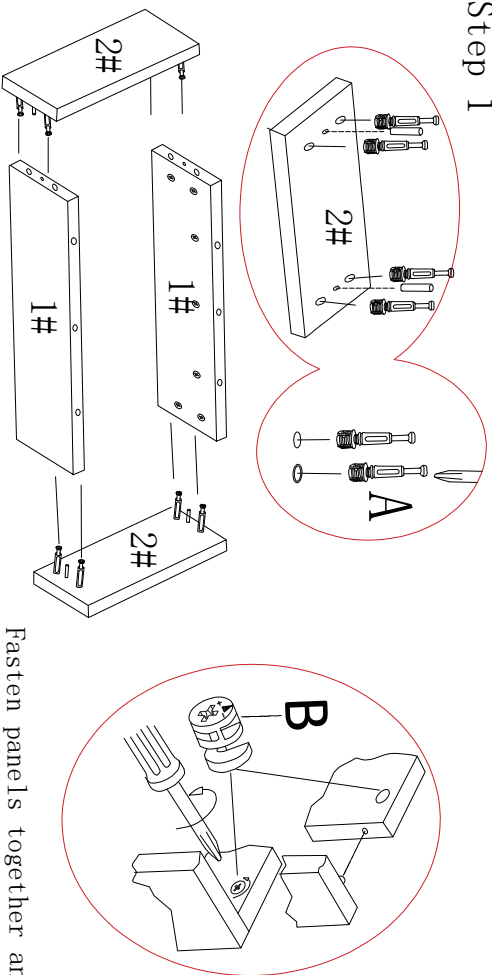
Extra screws for spare using.

TOOLS REQUIRED



- 46.9" × 5.2" 1# 2pcs
- 15.9" × 5.2" 2# 2pcs
- A 8pcs
- B 8pcs
- U 4pcs
- Ø 8 × 40MM

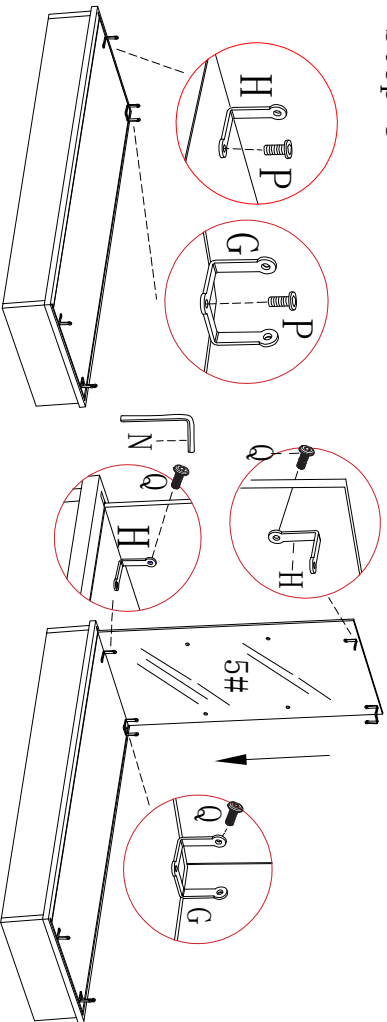
Step 1



Fasten panels together and make sure all cams are locked.

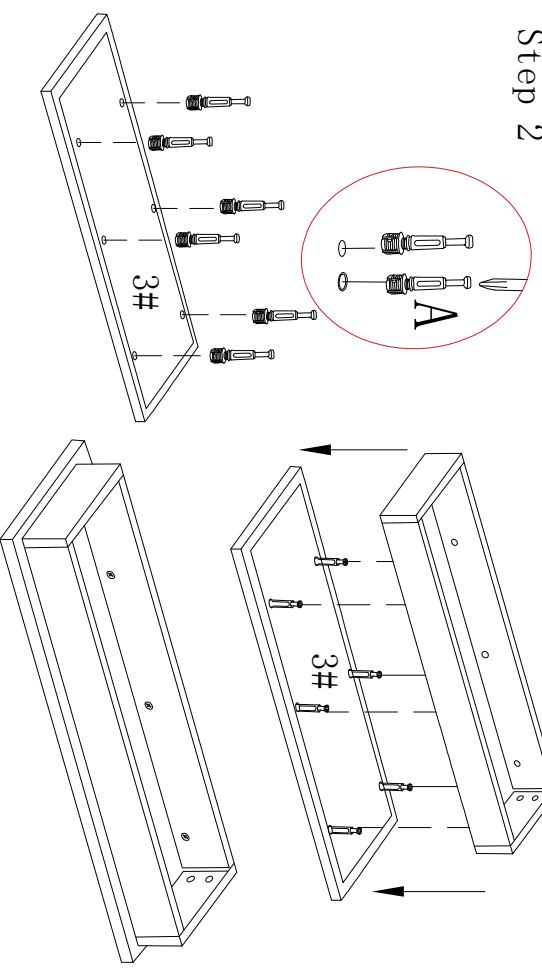
- 32" × 16.7" 5# 1pc
- G 3pcs
- H 3pcs
- Q 4pcs
- P 4pcs
- N 1pc
- M6 × 10MM
- M5 × 12MM

Step 3



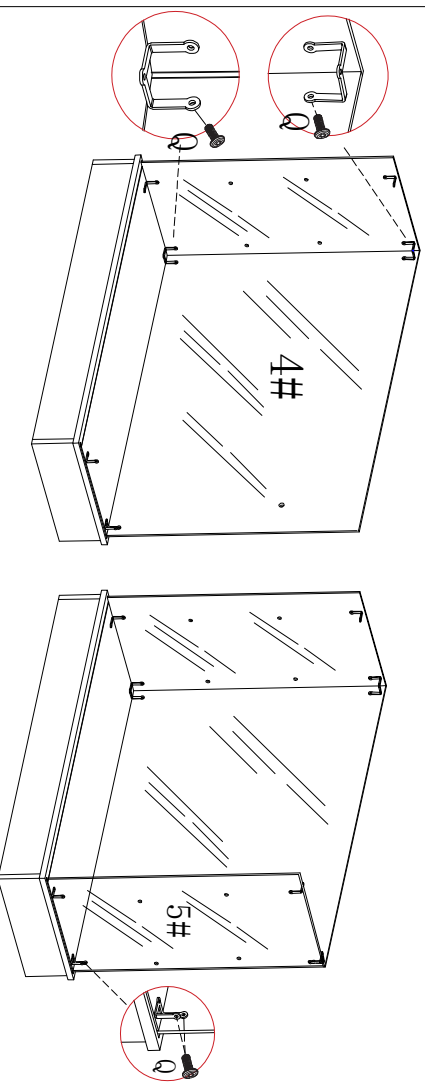
- 47.6" × 18" 3# 1pc
- A 6pcs
- B 6pcs

Step 2



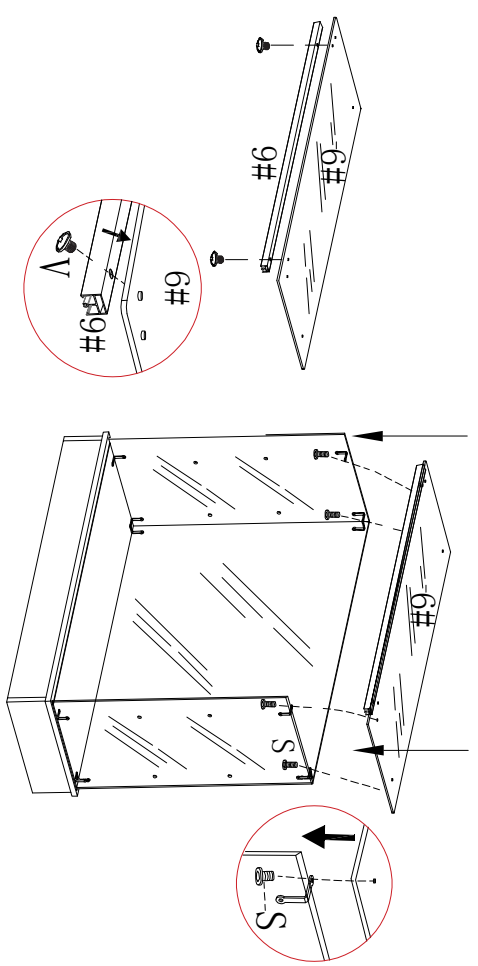
- 46.2" × 32" 4# 1pc
- 32" × 16.7" 5# 1pc
- H 1pc
- G 1pc
- Q 8pcs
- N 1pc
- M6 × 10MM

Step 4



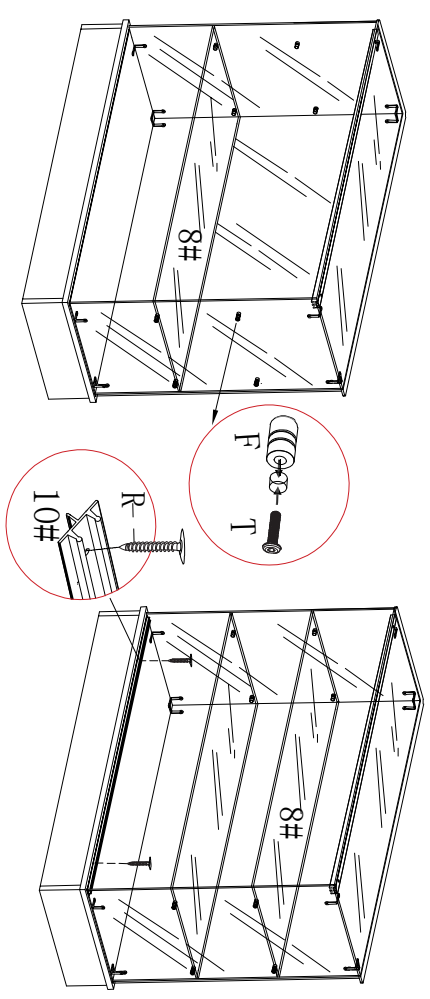
- 47.6" × 17.4"
- M5X8MM
- S 4pcs
- 9# 1pc
- M4 × 6MM
- V 2pcs

Step 5



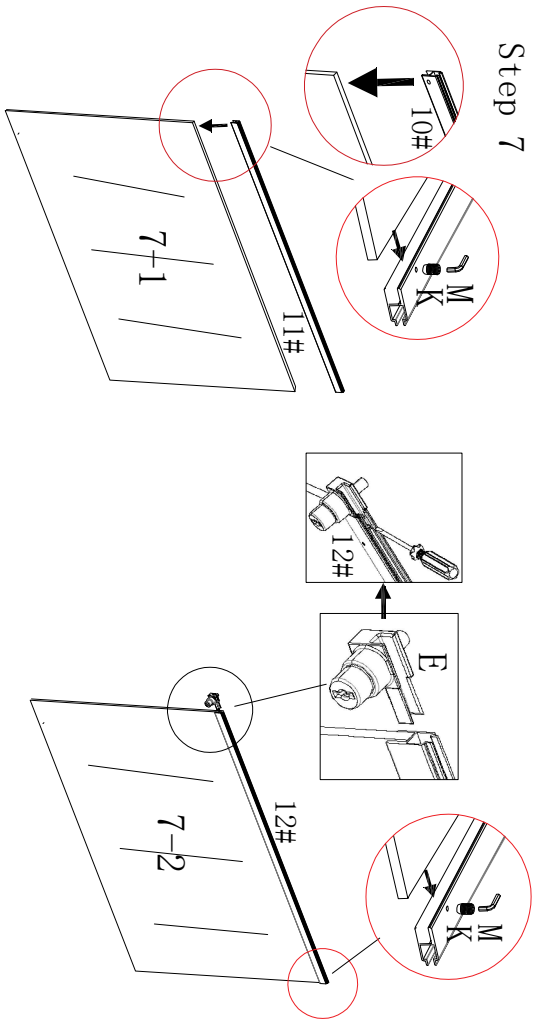
- 46.1" × 13.9"
- 10# 1pc
- F 8pcs
- T 8pcs
- M6 × 14MM
- M4 × 13MM
- R 2pcs

Step 6

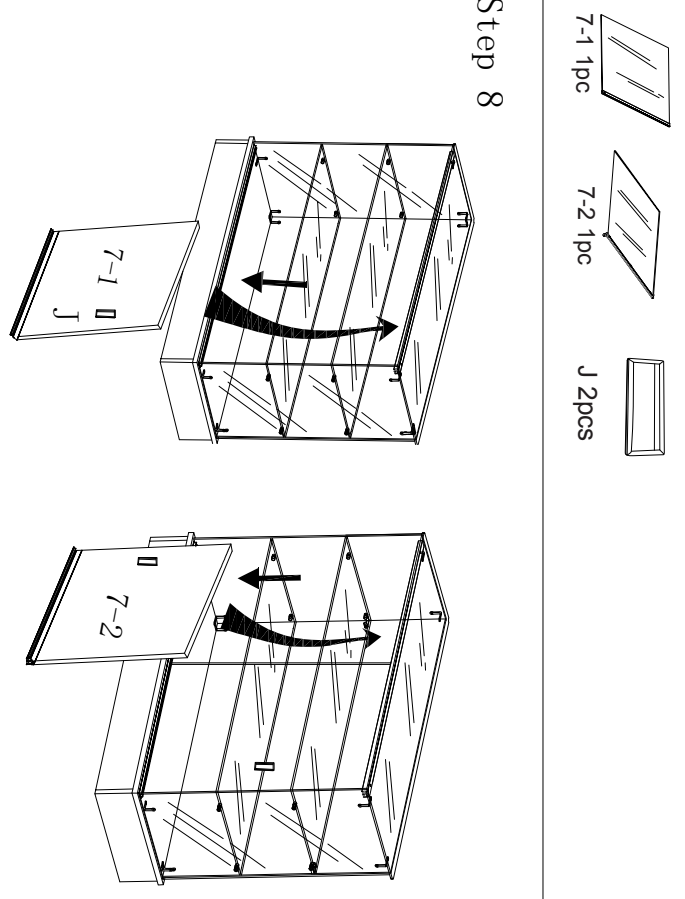


- 7# 2pcs
- 11# 1pc
- 12# 1pc
- E 1pc
- M4 × 4MM
- K 6pcs
- M 1pc

Step 7



Step 8



SAG4 SHOWCASE
ASSEMBLY INSTRUCTION

